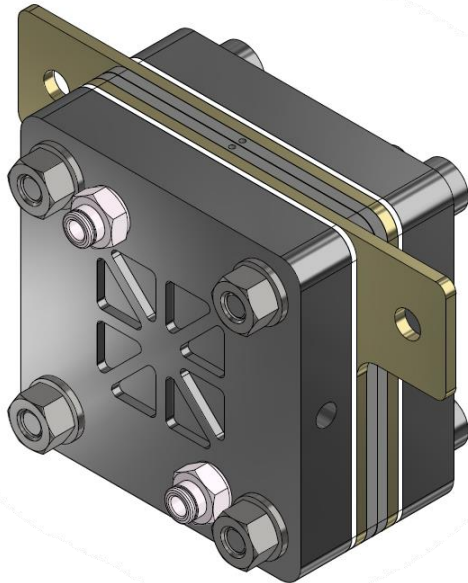


# TestCell 25FC

## PEM Fuel Cell Test Housing

### TECHNICAL DATA SHEET



The GFS Test Cell 25FC is a highly flexible Test Housing for PEM Fuel Cells. It can perform measurements with a cell size from 1 cm<sup>2</sup> to 25 cm<sup>2</sup> and can be heated by cartridges. The housing is optimized for active material testing, high power performance and EIS-measurements. Once purchased one can easily change flowfields to test different materials, architectures and cell sizes. Furthermore the test housing can be easily expanded to a short stack, a segmented cell, or a cell with adjustable clamping pressure.

The cell housing comes with numerous gaskets in different heights to test different GDL and CCM compressions. The housing is optionally available with liquid cooling.

TestCell 25FC	for PEM Fuel Cells
Active area	1 cm <sup>2</sup> / 5cm <sup>2</sup> / 12,5 cm <sup>2</sup> / 25cm <sup>2</sup>
Monopolar Plate material	Graphite Composite / Stainless Steel (gold coated) /Titanium Gr. 1
Flowfield architecture	Serpentine / parallel channels / mesh sheet / individual
Operating temperature	-20 °C - 100 °C
Gasket Sealing Set	✓
Cell House Heating by cartridges	✓
Current collector (gold coated)	✓
Expandable to stack / segmented cell / adjustable clamping pressure	✓ / ✓ / ✓
Liquid Cooling/Heating	optional
weight	5kg
Housing Material	Stainless Steel 1.4401 / Teflon (PTFE)
CCMs / GDLs / PTLs / MPLs	optional

Delivery includes: TestCell 25FC with 2 monopolar plates, current collector Gasket set with gaskets in 4 different heights, adapters for gas, current and voltage

# TestCell 25FC

PEM Fuel Cell Test Housing

TECHNICAL DATA SHEET



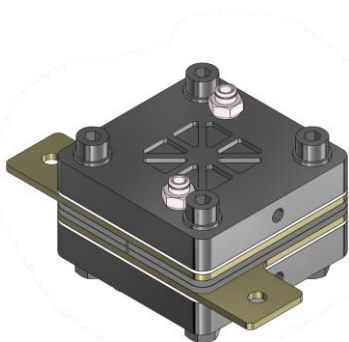
## Complete Standart-Set of a single TestCell 25FC

- 2 Bipolar Plates with selectable flowfield
- 2 current collector plates (gold coated)
- 2 Clamping Plates made of 1.4401
- 4 x 4 PTFE gaskets in different heights
- O-Ring sealings (Viton or EPDM)
- 4 quick connection adapters
- Insulated screws made of Stainless 316L
- Manual

*Active Materials like CCMs and GDLs are optionally available and can also be purchased. Furthermore the test cell is ideally used with GFS measurement electronics.*

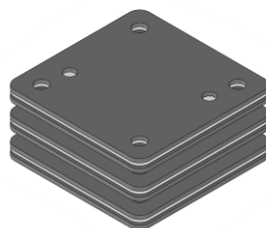


GFS TestCell 25FC is fully expandable to Short Stack



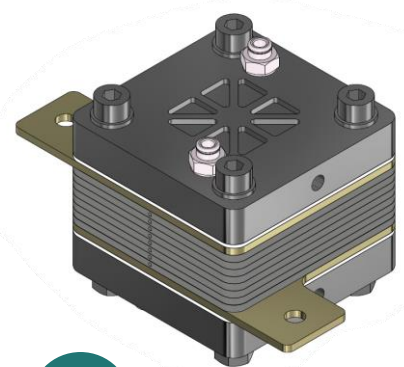
1

25FC Base



2

Add up to 20 Cells



3

Short Stack

# TestCell 25FC

PEM Fuel Cell Test Housing

TECHNICAL DATA SHEET



## Overview

