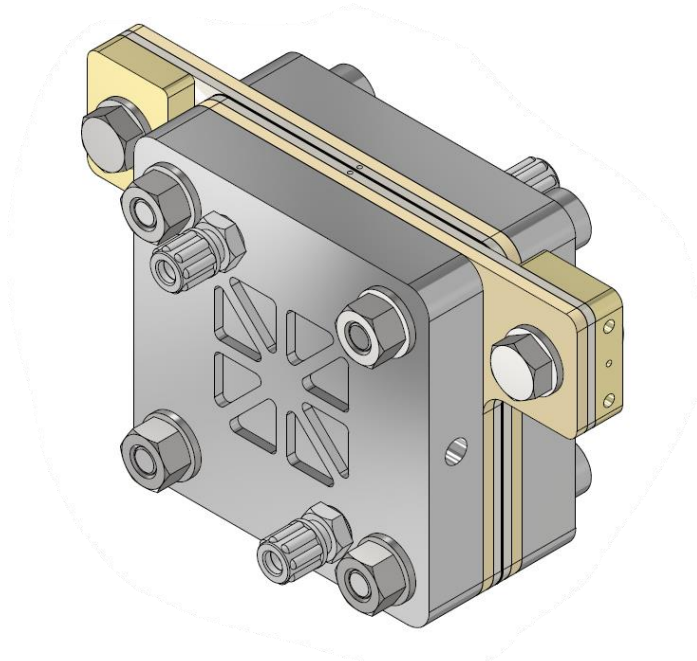


TestCell 25EL

PEM- / AEM- / AEL Electrolysis Test Housing



TECHNICAL DATA SHEET



The GFS Test Cell 25 is a highly flexible Test Housing for PEM - electrolysis, AEM - electrolysis and AEL - electrolysis. It can perform measurements with a cell size from 1 cm² to 25 cm². The housing is optimized for active material testing, high power performance and EIS-measurements. Once purchased one can easily change flowfields to test different materials and cell sizes. Furthermore the test housing can be easily expanded to a short stack or a segmented test cell for spatially resolved measurements.

The cell housing comes with numerous gaskets in different heights to set different compression levels to PTLs, GDLs or electrodes.

TestCell 25EL	for PEM / AEM / AEL - electrolysis
Active area	1 cm ² / 5cm ² / 12,5 cm ² / 16cm ² / 25cm ²
Monopolar Plate material	Titanium Gr. 1 / Nickel / Stainless Steel (gold/platinum coated)
Flowfield architecture	Serpentine / parallel channels / mesh sheet / individual
Operating temperature	-40 °C - 200 °C
Operating pressure	up to 8 bar
Gasket Sealing Set	✓
Cell House Heating by cartridges	✓
Expandable to - stack / segmented cell	✓ / ✓
Liquid Cooling / Heating	optional
weight	5kg
Housing Material	Stainless Steel 1.4401 / PEEK
CCMs / GDLs / PTLs / MPLs	optional

Delivery includes: TestCell 25 with 2 monopolar plates, Gasket set with 4 x 4 gaskets in 4 different heights, O-Ring sealings, adapters for liquid, gas, current and voltage

TestCell 25EL

PEM- / AEM- / AEL Electrolysis Test Housing

TECHNICAL DATA SHEET



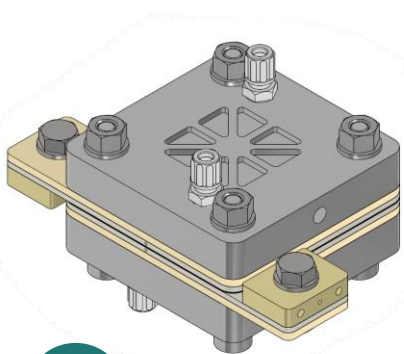
Complete Standart-Set of a single TestCell 25EL

- 2 Bipolar Plates with selectable flowfield
- 2 PEEK plates for insulation and sealing
- 2 Clamping Plates made of 1.4401
- Gold coated current collectors
- 4 x 4 PTFE gaskets in different heights
- O-Ring sealings (EPDM or PTFE for high temp.)
- 4 PTFE connection adapters
- 4 quick connection adapters
- Insulated screws made of Stainless 316L
- Manual

Active Materials like CCMs, PTLs, MPLs are optionally available and can also be purchased. Furthermore the test cell is ideally used with GFS measurement electronics.



GFS TestCell 25 is fully expandable to Short Stack



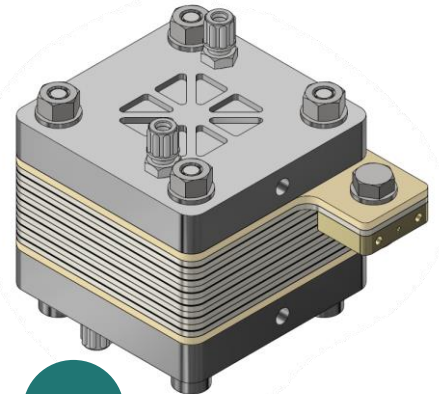
1

25EL Base



2

Add up to 20 Cells



3

Short Stack

TestCell 25EL

PEM- / AEM- / AEL Electrolysis Test Housing



TECHNICAL DATA SHEET

Overview

